

RocketPort Jet Cabling

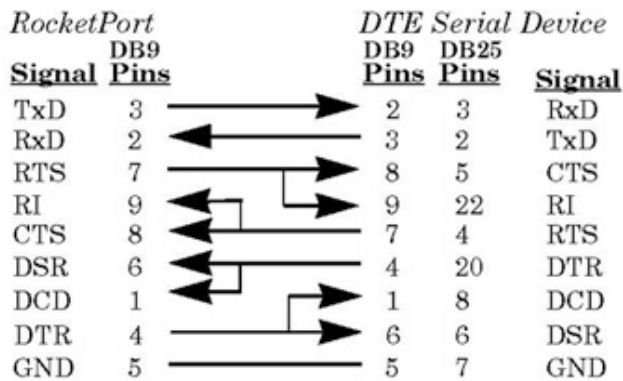
DB9 Null-Modem Cable

Use the following figure if you need to build an RS-232 null-modem cable. A null-modem cable is required for connecting DTE devices.

If you need RTS-CTS/DTR-DSR hardware flow control, you can use the pin-outs provided in the following example.

You may want to purchase or build a straight-through cable and purchase a null-modem adapter.

For example, a null-modem cable can be used to connect COM2 of one PC to COM2 of another PC.



Note

Use the P1 Pin 9 Jumper to determine which signal appears on Pin 9 of the DB9M connector (2-port or 4-port).

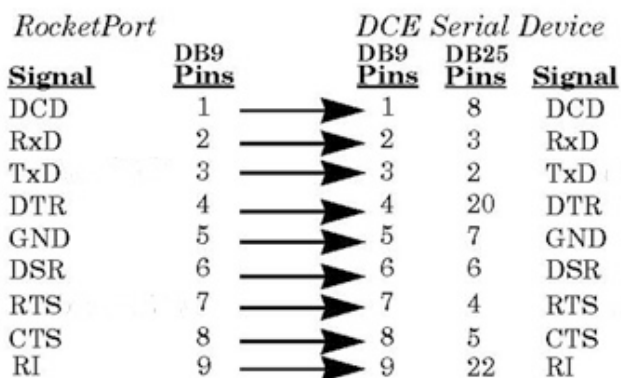
RJ45 connectors are not standardized. Refer to your serial device documentation for signal information.

DB9 Straight-through Cable

Use the following figure if you need to build an RS-232 straight-through cable.

Straight-through cables are used to connect modems and other DCE devices.

For example, a straight-through cable can be used to connect COM2 of one PC to a modem.



Note

Use the P1 Pin 9 Jumper to determine which signal appears on Pin 9 of the DB9M connector (2-port or 4-port).

RJ45 connectors are not standardized. Refer to your serial device documentation for signal information.

RJ45 Connector

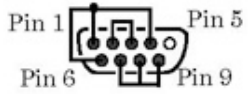
Use the [jumper setting](#) page for cabling information with the serial device documentation for cabling information.

Loopback Plugs

You can use test terminal and a loopback plug to test the serial ports. The RocketPort Jet was shipped with a a single loopback plug (RS-232).

Wire the following pins together to build additional plugs or replace a missing RS-232 loopback plug.

- Pins 1 to 4 to 6
- Pins 2 to 3
- Pins 7 to 8 to 9



10/08/19

Copyright © 2019 Pepperl+Fuchs Comtrol, Inc.